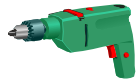


Installing instructions for topSol

Tools required:



Power drill with screwdriver bit



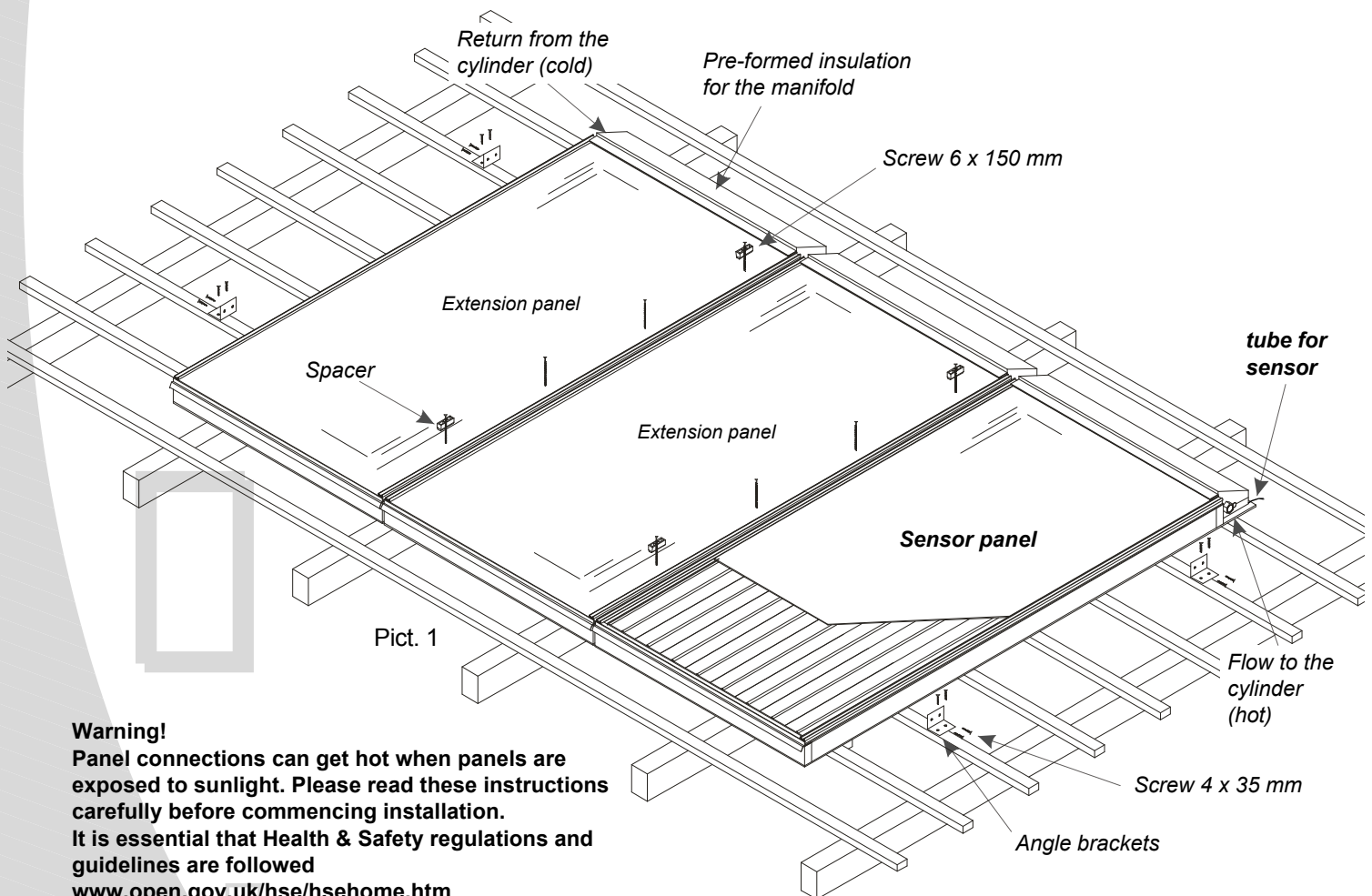
Rubber mallet



Tape measure



27mm and 38mm spanners



Pict. 1

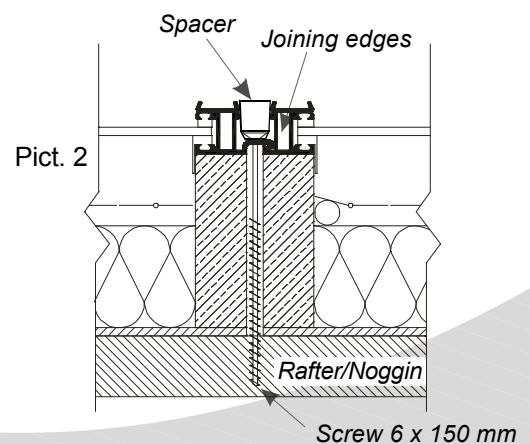
Warning!

Panel connections can get hot when panels are exposed to sunlight. Please read these instructions carefully before commencing installation.

It is essential that Health & Safety regulations and guidelines are followed

www.open.gov.uk/hse/hsehome.htm

1. Remove the roof tiles/slates from the chosen area on your South facing roof where the panel/s will be placed. (Allow 1 m each side of the panels). Please note, that the upper part of the flashing should be at least 2 tile rows below the ridge!
2. There are straps to carry on the upper and under side of the panel. Never carry the panel by the connecting sockets!
3. First install the sensor panel on the right hand side of the array (this panel is marked with a sticker at the top right corner). Place the panels on the cleared part of the roof. On the back of each panel is a lath which hooks over a roofing batten. This prevents the panel from sliding down the roof until it is fixed. Pict. 2
4. Additional panels are placed on the roof. Slide them from the left side to the next panel until the joining edges interlink. Pict. 2



Pict. 2

Screw 6 x 150 mm

5. The hydraulic connection is made by connecting the unions between panels. Note! Care should be taken to avoid the connecting pipes rotating, which could damage the absorber in the panel!

6. Due to the internal design, the panels are connected in series. A variety of non-standard options are available for the flow and return connections.

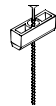
Note! The panel on the right hand side is the hottest this is the flow to the cylinder. The panel on the left side is the return from the cylinder.

7. The panels should now be checked for leaks. Test to at least 12 bar with water/antifreeze. Every connection must be checked over a period of at least 20 minutes. **Note! It is not possible to empty the panels. Always check with water/antifreeze mixture.**

8. Fixing between panels is by means of 6x150 mm screws through the elongated holes in the aluminium profile to the roof rafters/noggins. Pict. 1+2.

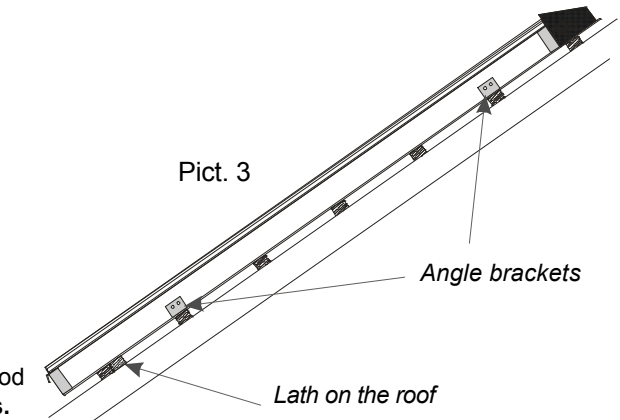
Note! To get the right distance between the panels it is necessary to use the black spacers! Pict. 1+2+7

9. The outside panels are fixed on their edges to the roof rafters/noggins with the angle brackets. Pict. 1+3



Pict. 7

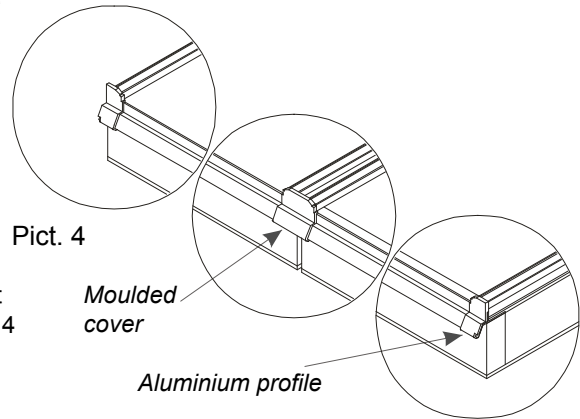
10. The moulded covers are fitted with screws to the aluminium profile at the bottom of the panels to cover the gaps between the panels. Pict. 4



Pict. 3

Angle brackets

Lath on the roof



Pict. 4

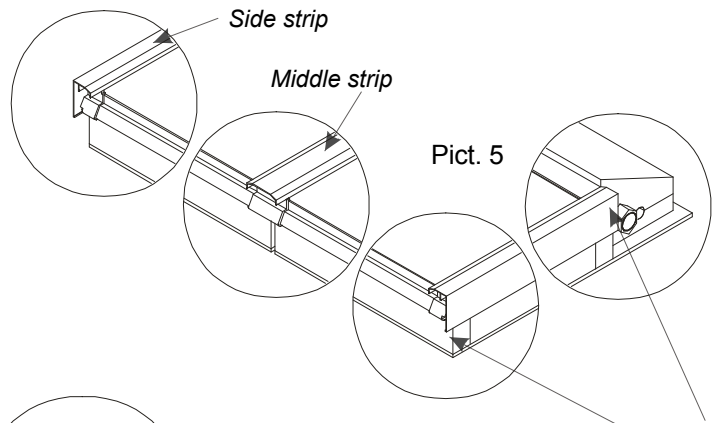
Moulded cover

Aluminium profile

11. The middle aluminium cover strips can now be fitted. Pict. 5
Note! The countersunk hole in the strips must be at the top! Tap with the rubber mallet until the cover strip clicks into place. The two side strips are mounted after fitting the flashing!

12. Fix the cover strips with the screws to the panel. Pict. 6

13. The panel sensor for the solar control (sensor with red cable) is inserted into the tube which is situated on the right hand panel in the marked position.

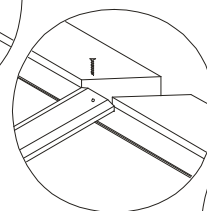
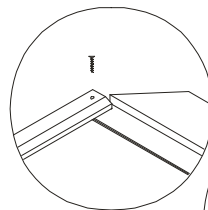


Side strip

Middle strip

Pict. 5

The strips fit flush to the panel at the top and protrude at the bottom.



Pict. 6

Screw 4,2 x 22 mm

Warning! Panel connections can get hot when panels are exposed to sunlight!